

PMB03 Magnetic Pendulum



Crane boom cameras require low maintenance pendulum suspension brackets that maintain a constant vertical position so that crane operators can confidently view their load & surrounding areas.

To meet this requirement, Scout CCTV developed, and patented, the low-maintenance fully closed stainless steel magnetically damped PMB03-series brackets for standard-boom and knuckle-boom cranes.

The oil-free damping properties of the top-mounted PMB03A and side-mounted PMB03B units are unaffected by extreme temperature or weather changes due to the patented magnetic technology inside the housing. Externally, the units are close to magnetic neutral.

The PMB03-series suspension brackets with extended free pendulum movement weigh just 7.5kg, have a deflection angle of up to 250° and come pre-installed with certified safety slings.

The PMB03 can also be customized for heavy equipment for instance floodlight.

PMB03A and PMB03C top mounted for standard boom cranes

- Compact design - diagrams on reverse
- Weight 7.5kg (approx.)
- Deflection angle approx. 215° with SCOUT 100C camera installed
- Pre-installed with certified safety Sling

PMB03B side mounted for knuckle boom cranes

- Compact design - diagrams on reverse
- Weight 7.5kg (approx.)
- Deflection angle approx. 250° with SCOUT 100C camera installed
- Pre-installed with certified safety sling

PMB03D customised

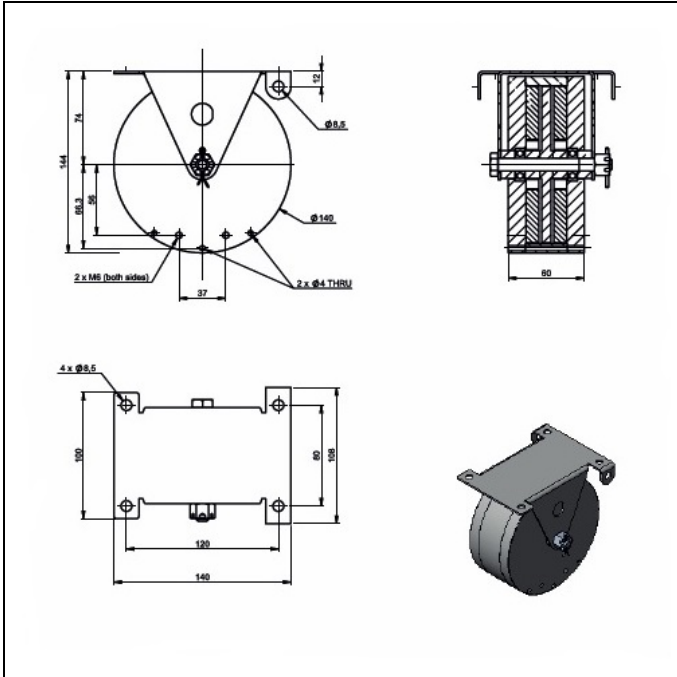
- Two or more standard PMB03 build together for increased damping
- Compact design
- Deflection angle up to 215°

Options: Adapter Plate NMI 10671

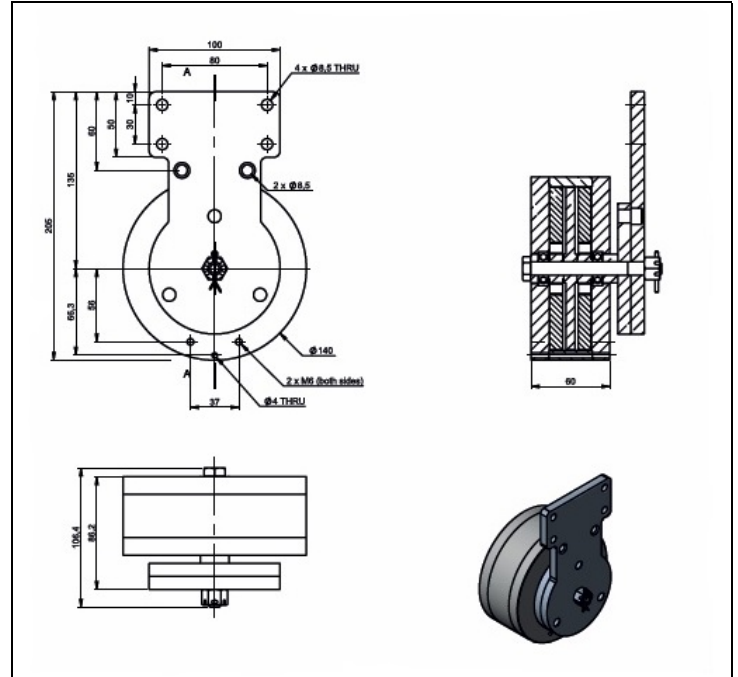
Allows easy installation of the PMB03A and PMB03C when replacing the discontinued PMB01 bracket.

Specifications

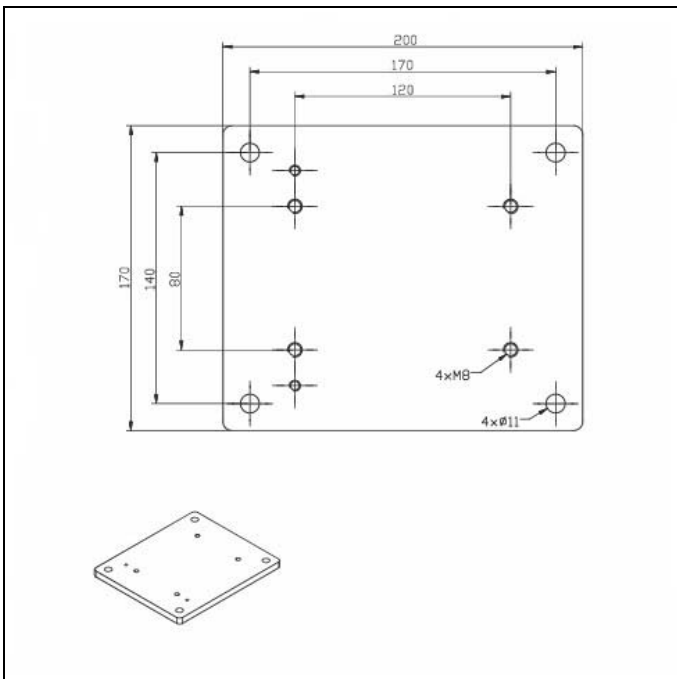
Pendulum bracket PMB03A and PMB03C



Pendulum bracket PMB03B



Adapter plate NMI10671



PMB03 torque speed test

